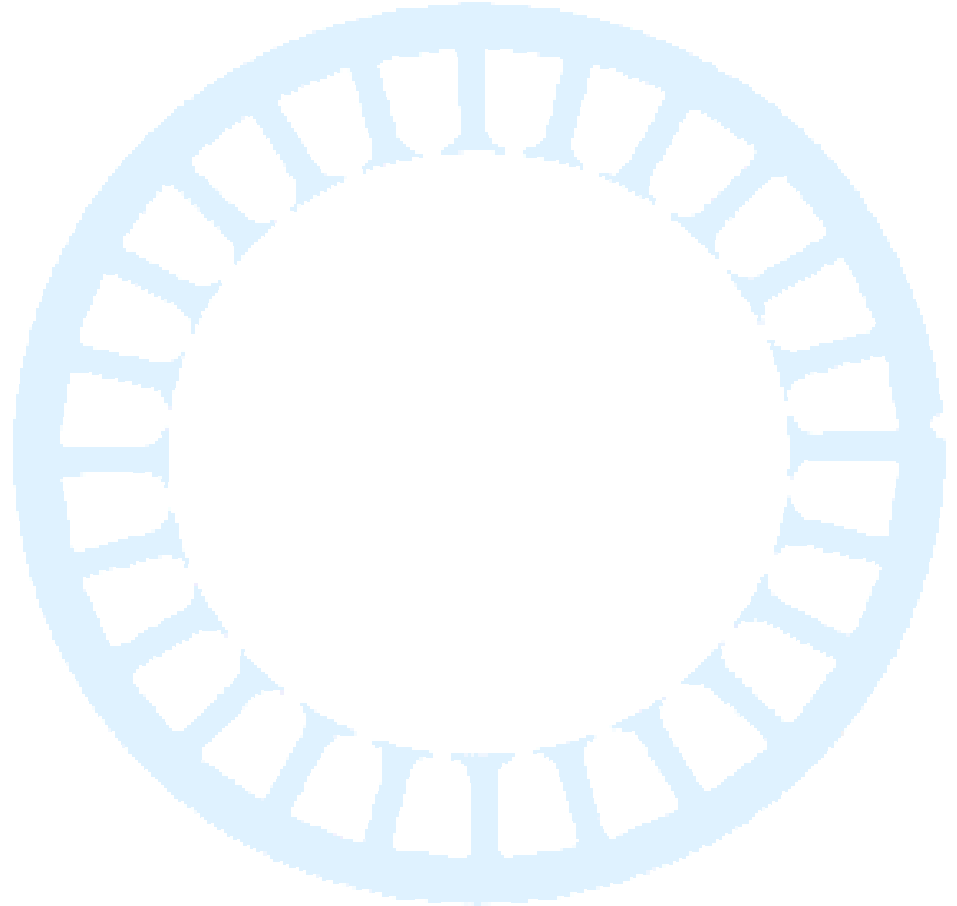


**QM... - series**

---



**Printed Motors GmbH**

Industriestraße 20  
74909 Meckesheim

Tel. +49(0)6226/7870-00

Fax +49(0)6226/7870-29

Email [info@printedmotors.com](mailto:info@printedmotors.com)

Web [www.printedmotors.com](http://www.printedmotors.com)

**Printed Motors**



## Technical Data

### QM...-series

Unit	rated torque (cont. oper.: S1) coil temp. 80 °C	rated torque (cont. oper.: S1) coil temp. 130 °C	rated torque (cont. oper.: S1) water cooled	maximum torque (intermittent operation: S3)	inertia rotor	maximum speed	weight
	$M_{N, 80^{\circ}C}$ Nm	$M_{N, 130^{\circ}C}$ Nm	$M_{N, 130^{\circ}C, wc}$ Nm	$M_{max}$ Nm	J kgm <sup>2</sup>	$n_{max}$ min <sup>-1</sup>	m kg
QMG 090/020-6-08	0,8	1,0	2,0	3,1	0,000101	2000	1,2
QMG 090/040-6-08	1,5	2,0	4,1	6,2	0,000202	2000	4,3
QMG 090/080-6-08	3,0	4,0	8,2	12,4	0,000404	2000	4,9
QMG 090/120-6-08	4,5	6,0	12,3	18,7	0,000606	2000	7,4
QMG 090/150-6-08	5,6	7,5	15,4	23,3	0,000758	2000	9,2
QMG 120/022-6-08	2,1	2,8	5,6	8,6	0,00032	1500	2,7
QMG 120/045-6-08	4,1	5,5	11,3	17,1	0,00066	1500	4,1
QMG 120/090-6-08	8,3	11,0	22,5	34,2	0,00131	1500	6,9
QMG 120/135-6-08	12,4	16,5	33,8	51,3	0,00394	1500	10,0
QMG 120/180-6-08	15,5	20,6	42,3	64,1	0,00262	1500	13,1
QMG 150/020-6-08	3,1	4,2	8,5	13,0	0,00092	1000	3,3
QMG 150/040-6-08	6,3	8,3	17,1	25,9	0,00184	1000	5,5
QMG 150/080-6-08	12,5	16,7	34,2	51,8	0,00368	1000	10,1
QMG 150/120-6-08	18,8	25,0	51,2	77,7	0,00552	1000	15,1
QMG 150/150-6-08	23,4	31,3	64,0	97,2	0,00690	1000	18,9

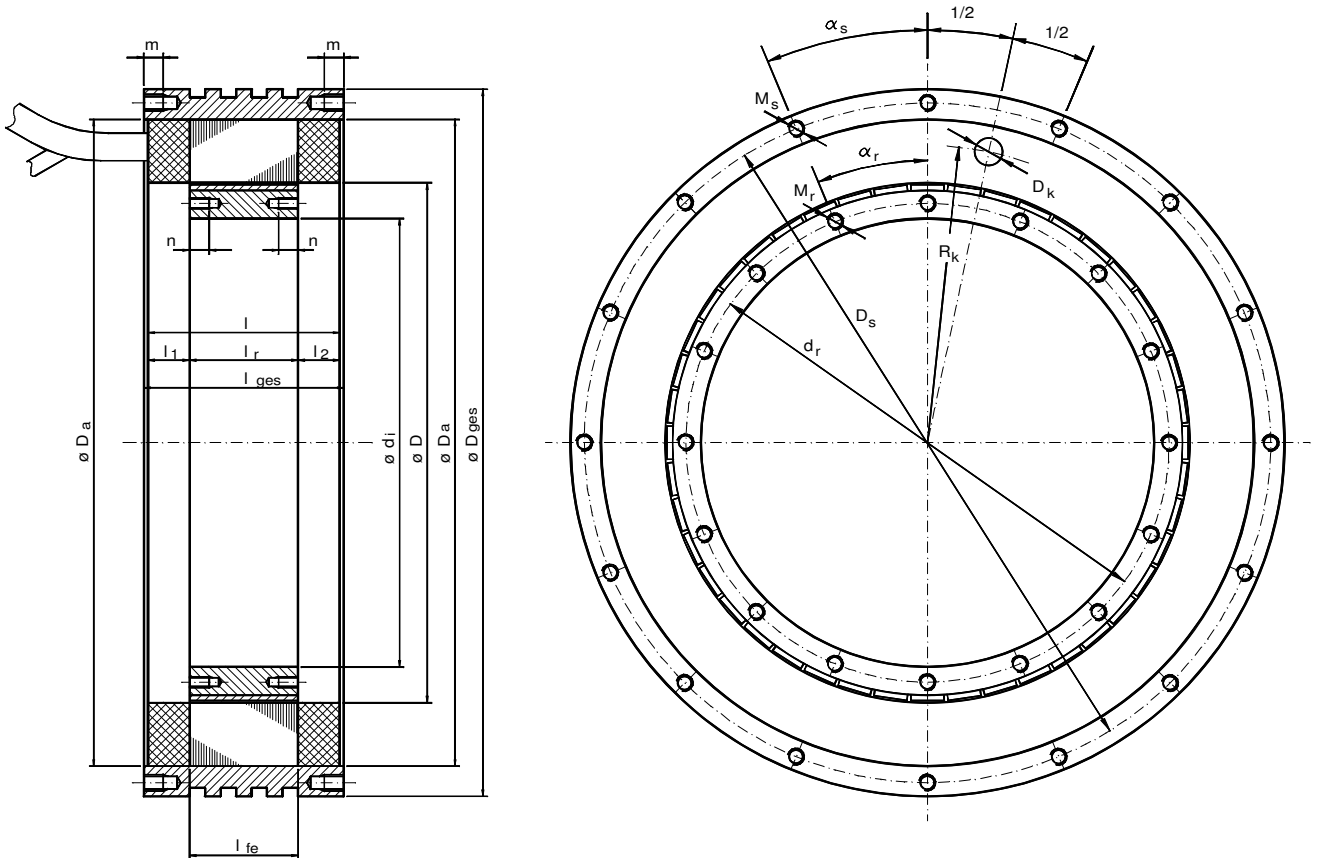
## Dimensions

### QM...-series

Typ	outer diameter stator	inner diameter stator	inner diameter rotor	iron length	number of poles	outer diameter housing	total length	height coil end cable side	height coil end reverse cable side	height pull relief
	$D_a$ mm	$D_i$ mm	$d_i$ mm	$l_{fe}$ mm	2p	$D_{oes}$ mm	$l_{oes}$ mm	$l_1$ mm	$l_2$ mm	A mm
QMG 090/020-6-08	90	55	25	20	8	110	56	18	18	0
QMG 090/040-6-08	90	55	25	40	8	110	76	18	18	0
QMG 090/080-6-08	90	55	25	80	8	110	116	18	18	0
QMG 090/120-6-08	90	55	25	120	8	110	156	18	18	0
QMG 090/150-6-08	90	55	25	150	8	110	186	18	18	0
QMG 120/022-6-08	120	75	35	22	8	135	68	24	22	0
QMG 120/045-6-08	120	75	35	45	8	135	91	24	22	0
QMG 120/090-6-08	120	75	35	90	8	135	136	24	22	0
QMG 120/135-6-08	120	75	35	135	8	135	181	24	22	0
QMG 120/180-6-08	120	75	35	180	8	135	226	24	22	0
QMG 150/020-6-08	150	100	60	20	8	176	75	28	27	0
QMG 150/040-6-08	150	100	60	40	8	176	95	28	27	0
QMG 150/080-6-08	150	100	60	80	8	176	135	28	27	0
QMG 150/120-6-08	150	100	60	120	8	176	175	28	27	0
QMG 150/150-6-08	150	100	60	150	8	176	205	28	27	0

drawing see next page

**basic dimensions**  
**QMG ... - series**



**contact information Printed Motors GmbH**

in Meckesheim / Elsenz,  
 100 km South of Frankfurt  
 100 km north of Stuttgart

Printed Motors GmbH is in the proximity of  
 Heidelberg / Germany  
 Easy to find at the intersection of the German  
 Motorways A5 and the A6



**Move into the future...**

- each motor must be provided with a suitable sensor for the rotor position, bearing and a servo amplifier
- the motors can operate with or without water cooling
- all specification subject to change without notice

**Printed Motors GmbH**  
 Industrie-Servoantriebssysteme  
 Industriestrasse 20  
 D-74909 Meckesheim

Tel. +49 (0) 62 26 78 70 0  
 Fax. +49 (0) 62 26 78 70 29  
 e-mail: info@printedmotors.com  
 Internet: www.printedmotors.com



**Printed Motors** ®