

Printed Motors GmbH

Industriestraße 20

74909 Meckesheim

Tel. +49(0)6226/7870-0

Fax +49(0)6226/7870-29

Email info@printedmotors.com

Web www.printedmotors.com

... FG... Gearmotor Series ServoDisc

PERFORMANCE DATA

Gearmotor Types		Rated Speed (RPM)	Continuous Torque (in-lb/N-m)	Peak Torque (in-lb/N-m)	Gear Ratio	Motor Voltage (Volts)	Motor Current (amps)
15:1	9FGT/15:1	208	8.0/0.9	16/1.8	14.4:1	11.4	5.2
	9FG/15:1	208	9.9/1.1	16/1.8	14.4:1	12.4	5.2
	12FGT/15:1	189	27.9/3.2	68/7.7	16.06:1	19.4	7.4
	12FG/15:1	189	31.2/3.5	68/7.7	16.06:1	21.2	6.9
25:1	9FGT/25:1	125	13.4/1.5	26/2.9	24:1	11.4	5.2
	9FG/25:1	125	16.5/1.9	26/2.9	24:1	12.4	5.2
	12FGT/25:1	123	42.8/4.8	103/11.6	24.48:1	19.4	7.4
	12FG/25:1	123	47.2/5.3	103/11.6	24.48:1	21.2	6.9
50:1	9FGT/50:1	60	27.5/3.1	49/5.6	48.95:1	11.4	5.2
	9FG/50:1	60	33.7/3.8	49/5.5	48.95:1	12.4	5.2
	12FGT/50:1	60	87/9.8	210/23.7	49.96:1	19.4	7.4
	12FG/50:1	60	97/11	210/23.7	49.96:1	21.2	6.9
80:1	9FGT/80:1	38	44.3/5	59/6.7	77.29:1	11.4	5.2
	9FG/80:1	38	53.2/6	59/6.7	77.29:1	12.4	5.2
	12FGT/80:1	36	139/15.7	229/25.9	82.73:1	19.4	7.4
	12FG/80:1	36	155/17.5	229/25.9	82.73:1	21.2	6.9
100:1	9FGT/100:1	31	50/5.6	94/10.6	95.93:1	11.4	5.2
	9FG.100:1	31	59/6.7	94/10.6	95.93:1	12.2	5.0
	12FGT/100:1	30	169/19.1	237/26.8	99.77:1	19.4	7.4
	12FG/100:1	30	187/21.1	237/26.8	99.77:1	21.2	6.9
150:1	9FG/150:1	21	59/6.7	94/10.6	148.54:1	10.9	3.7
	9FGT/150:1	21	59/6.7	94/10.6	148.54:1	10.5	4.3
	12FG/150:1	21	200/22.6	243/27.5	153:1	19.2	5.2
	12FGT/150:1	21	200/22.6	243/27.5	153:1	17.8	6.0

Legend: FG - Gearmotor

FGT - Gearmotor, Integral Tachometer

...FG... Gearmotor Series ServoDisc

PERFORMANCE DATA

		Units	9FG	9FGT	12FG	12FGT			
1.0	Maximum Inertia (2)	oz-in-sec ²	0.0052	0.0082	0.0192	0.0252			
		g-cm ²	367	579	1356	1780			
2.0	Radial Load @	lb	25	25	125	125			
	Distance from Mounting Surf.	in	0.75	0.75	1.00	1.00			
3.0	Axial Load	lb	5	5	150	150			
4.0	Basic Weight (3)	lb	3.30	3.50	5.85	6.20			
5.0	Basic Length (3)	in	1.92	2.00	3.75	3.80			

Motor electrical and mechanical specifications are subject to change without notice. Please consult **Printed Motors**.

Notes:

1. Mounted on 8" x 16" x 3/8" aluminum heatsink.
2. Motor plus gearhead, measured at motor shaft.
3. Weights and lengths will vary with options. Please consult **Printed Motors**
4. Gearmotors can be mounted in any position.

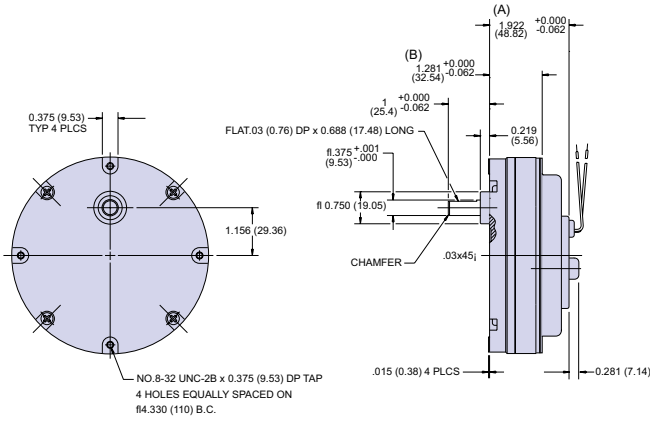
FERRITE GEARMOTOR OPTIONS

- Rear Shaft Extension
- Prepared for Encoder

...FG... Gearmotor Series ServoDisc

DIMENSIONS

9FG, 9FGT

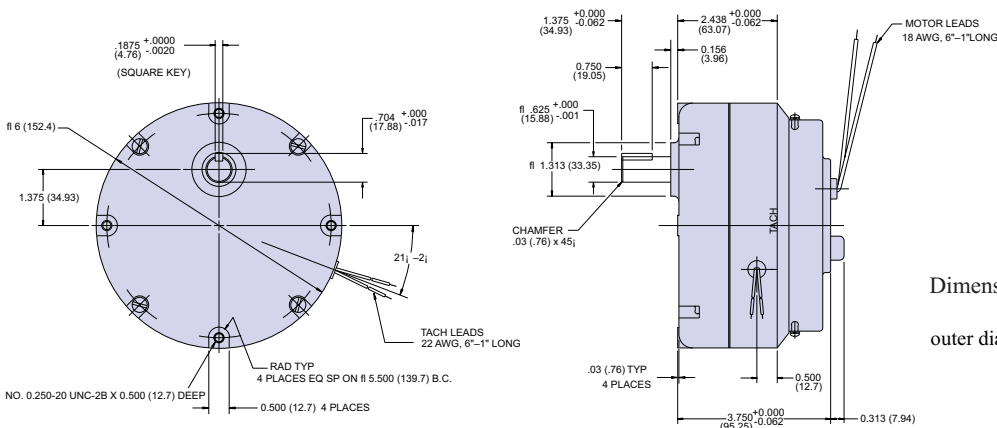


Dimensions in inches.

Models	9FG	9FGT
A	1.92 ±.06	2.00 ±.06
B	1.28 ±.06	1.34 ±.06

outer dia 4.750 (120.65)

12FG, 12FGT



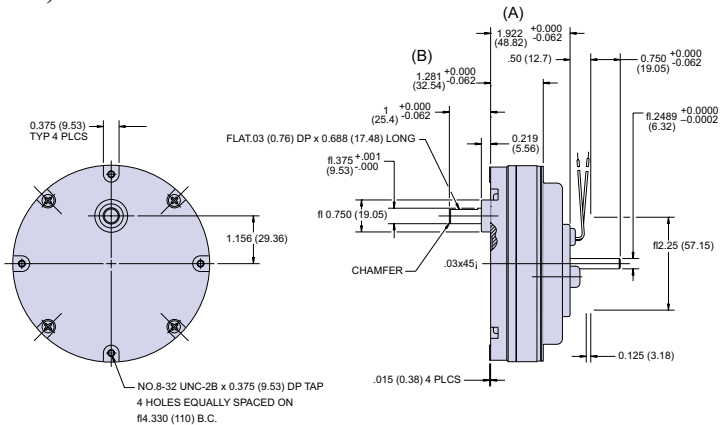
Dimensions in inches.

outer dia 6.000 (152.4)

... FG... Gearmotor Series ServoDisc

DIMENSIONS - Rear Shaft Extension

9FG, 9FGT

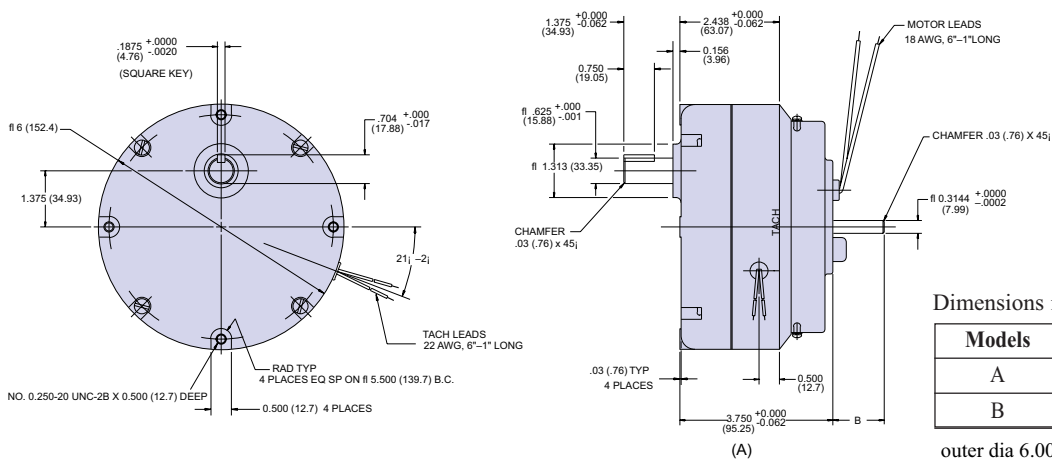


Dimensions in inches.

Models	9FG	9FGT
A	1.92 ±.06	2.00 ±.06
B	1.28 ±.06	1.34 ±.06

outer dia 4.750 (120.65)

12FG, 12FGT



Dimensions in inches.

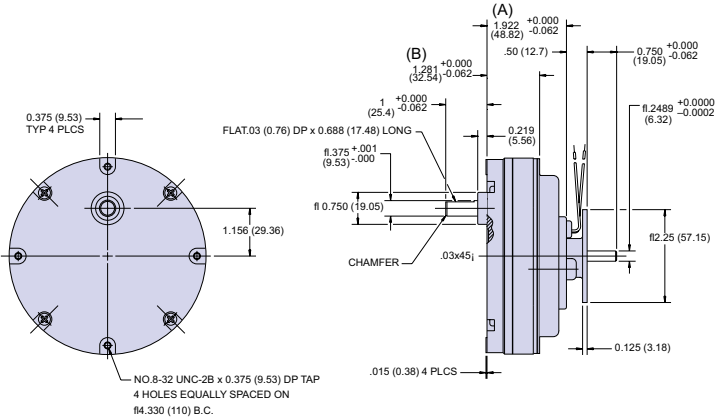
Models	12FG	12FGT
A	3.75 ±.06	3.80 ±.06
B	1.06 ±.06	1.50 ±.06

outer dia 6.000 (152.4)

... FG... Gearmotor Series ServoDisc

DIMENSIONS - Prepared for Encoder

9FG, 9FGT

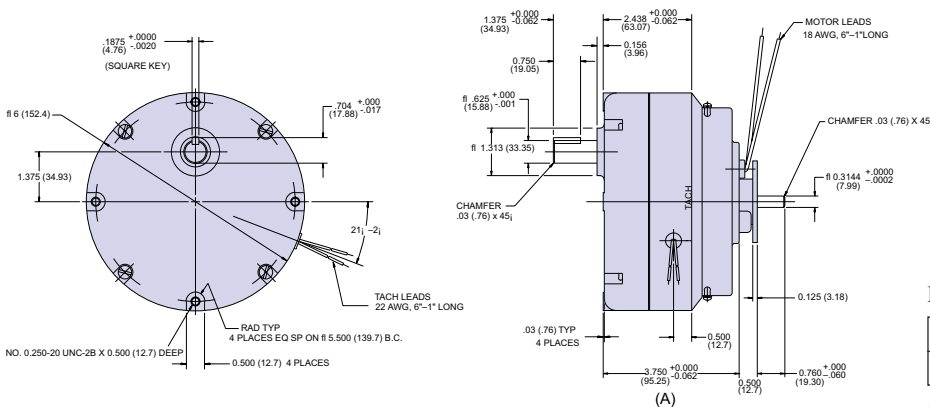


Dimensions in inches.

Models	9FG	9FGT
A	1.92 ±.06	2.00 ±.06
B	1.28 ±.06	1.34 ±.06

outer dia 4.750 (120.65)

12FG, 12FGT



Dimensions in inches.

Models	12FG	12FGT
A	3.75 ±.06	3.80 ±.06

outer dia 6.000 (152.4)